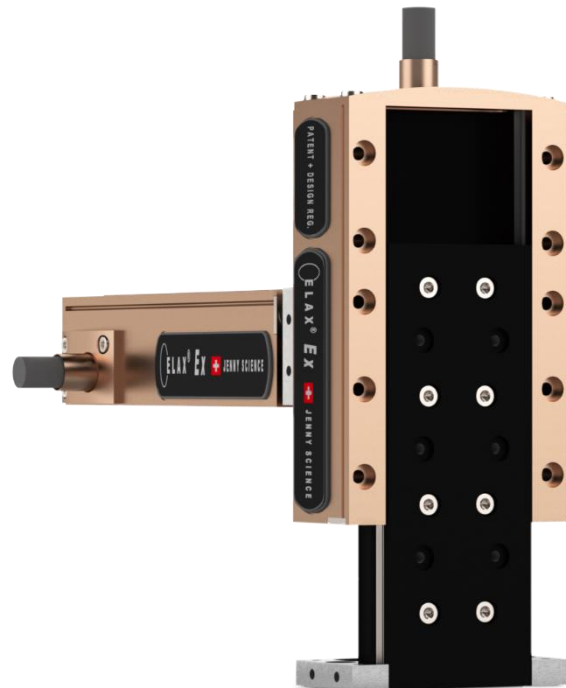


Data Sheet ELAX® Ex F20

Edition 18 August 2022

Linear Motor Slide ELAX®



Highlights

Flexible positioning with a repeat accuracy of $\pm 5\mu\text{m}$, resolution $1\mu\text{m}$

Modular system with strokes of 30-150mm (1.18" – 5.90")

High cycle rates with velocity up to 3m/s thanks to linear motor

Force control, force limitation and force recording with XENAX® servo controller

Distinct less energy consumption in comparison to pneumatic slides

No need to exchange dampers, no broken sensor cables

Variable single-cable connection on the back or sidewise

General

ELAX® is the evolutionary step of the widespread pneumatic slides. The great accomplishment is the patented compact integration of the linear motor in the slider case, resulting in a force/volume ratio which has hitherto never been achieved.

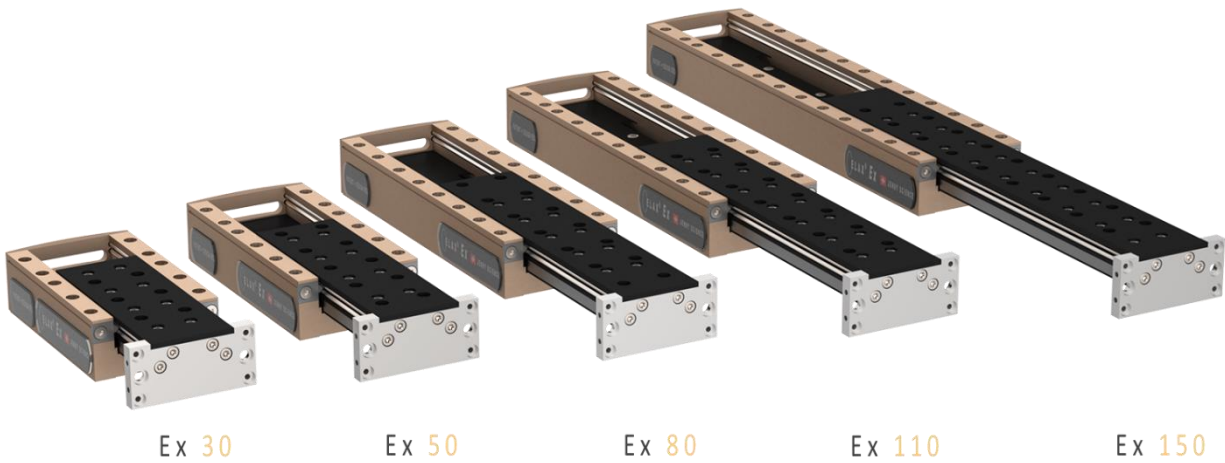
A further essential key factor for future oriented automation solutions with ELAX® are the components with direct screw connections. Be inspired!

Alois Jenny
Jenny Science AG

Content

1 Type Overview ELAX® Ex F20	4
2 Modular System	5
2.1 Arrangements	5
2.1.1 Y-Z Pick and Place flat	5
2.1.2 Y-Z Pick and Place upright	5
2.1.3 X-Y Cross Table	5
2.1.4 X-Y-Z Cantilever	6
3 Dimension	7
3.1 Installation	7
3.2 Front Flange, Universal Mounting Plate	8
3.2.1 Dowel Pin \varnothing 6mm and \varnothing 7mm	8
3.2.2 Dimensions Front Flange	8
3.3 Universal Drilling Holes in Motor Case	9
3.4 Hole Matrix Ex 30F20	10
3.5 Hole Matrix Ex 50F20	11
3.6 Hole Matrix Ex 80F20	12
3.7 Hole Matrix Ex 110F20	13
3.8 Hole Matrix Ex 150F20	14
4 Smart Praxis Oriented Details	15
4.1 One-Cable Connection Reduces Cabling	15
Requirements	15
4.2 Variable Cable Connection Offers More Flexibility	15
4.3 Weight Compensation in Vertical Oriented	15
Applications	15
4.4 Forceteq® force measurement technology	16
4.5 Chrome Steel Cover	16
5 Performance Data	17
5.1 Motor forces, dynamics	17
5.2 Mechanical Payload Values	18
6 Accuracy	18
6.1 Positioning	18
6.2 Slide Guiding	18
7 Maintenance, Life Time	21
7.1 Lubrication	21
7.2 Life Time	21
8 Installation, Important Instructions	22
8.1 Flatness for Mounting on Ground Plate	22
8.2 Flatness for Mounting on Slider	22
8.3 Flatness Practical Test	22
9 Safety, Environment	23
9.1 Safety with XENAX® Servo Controller	23
9.2 Environmental Conditions	23

1 Type Overview ELAX® Ex F20



Type	Stroke [mm]	Weight Slider [g]	Weight Total [g]	Total with weight comp. [g]
Ex 30F20	30 (1.18")	195 (0.43 lbs)	560 (1.23 lbs)	710 (1.57 lbs)
Ex 50F20	50 (1.97")	265 (0.58 lbs)	630 (1.39 lbs)	820 (1.81 lbs)
Ex 80F20	80 (3.15")	340 (0.75 lbs)	780 (1.72 lbs)	1040 (2.29 lbs)
Ex 110F20	110 (4.33")	415 (0.91 lbs)	945 (2.08 lbs)	1255 (2.77 lbs)
Ex 150F20	150 (5.90")	490 (1.08 lbs)	1110 (2.45 lbs)	

2 Modular System

2.1 Arrangements

2.1.1 Y-Z Pick and Place **flat**

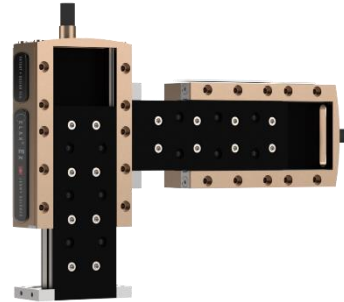
Multiple square grids 20 x 50mm
 4 x dowel pins \varnothing 6mm
 4 x hexagon socket screws M3x30mm



2.1.2 Y-Z Pick and Place **upright**

Multiple linear grids 48mm
 2 x dowel pins \varnothing 7mm
 2 x low head trox screws M4x8mm

For thin Pick and Place with distance of < 30mm



2.1.3 X-Y **Cross Table**

Multiple square grids 20 x 50mm
 4 x dowel pins \varnothing 6mm
 4 x hexagon socket screws M3x30mm



2.1.4 X-Y-Z Cantilever

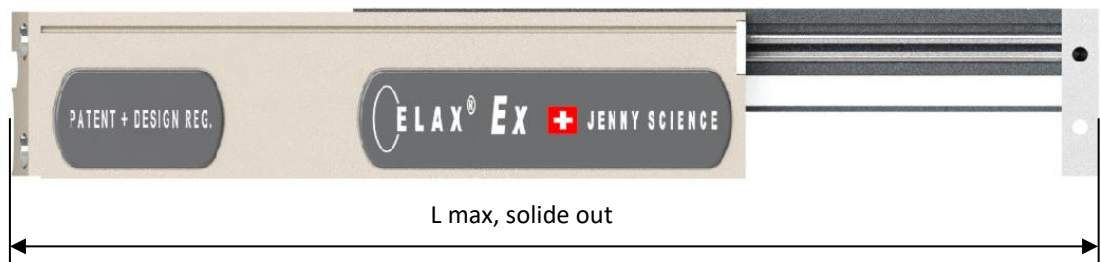
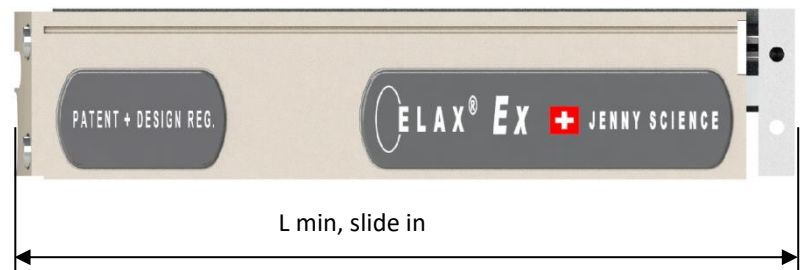
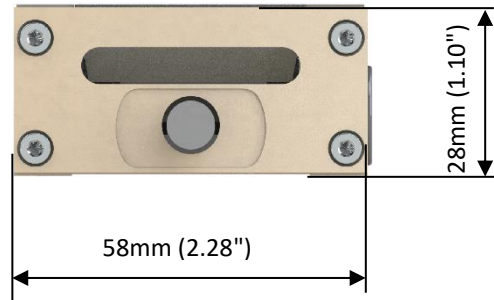


Multiple square grids 20 x 50mm
 8 x dowel pins \varnothing 6mm
 8 x hexagon socket screws M3x30mm

3 Dimension

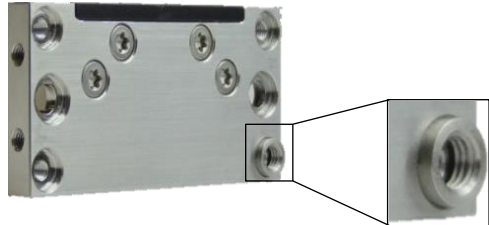
3.1 Installation

Cross Section ELAX®



Type	L min [mm]	L max [mm]
Ex 30 F20	109 (4.29")	139 (5.47")
Ex 50 F20	129 (5.08")	179 (7.05")
Ex 80 F20	177 (6.79")	257 (10.12")
Ex 110 F20	207 (8.15")	317 (12.48")
Ex 150 F20	267 (10.51")	417 (16.42")

3.2 Front Flange, Universal Mounting Plate

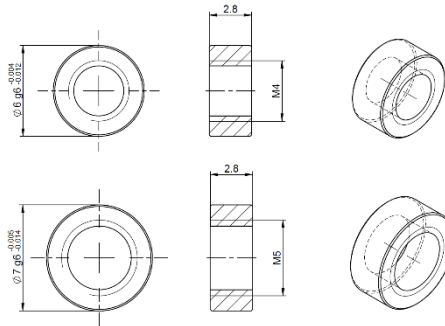


Dowel pin with internal threads to remove it

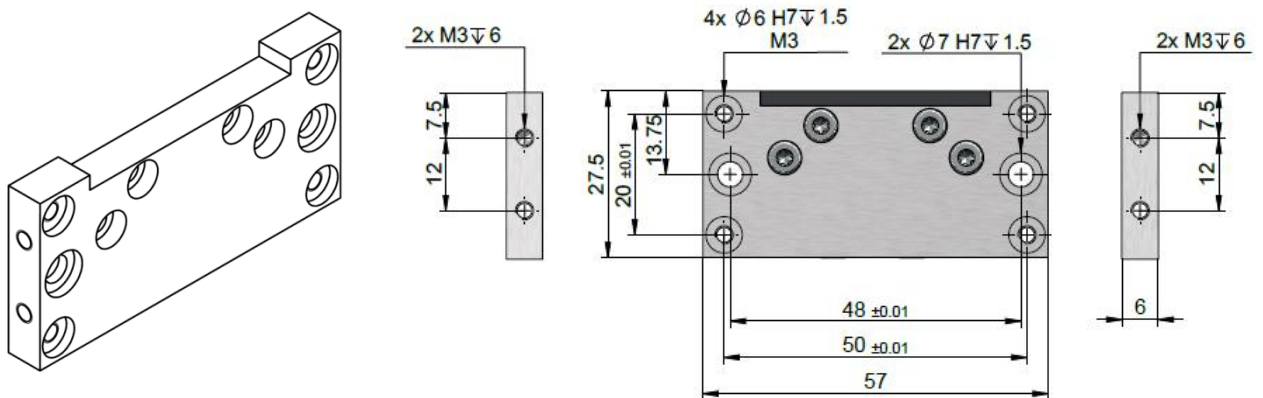
Without adapter plate, direct with dowel pins and screws. There are dowel pins with an outside of $\varnothing 6\text{mm}$ for flat installation with 4 x hexagon socket screws M3x30mm.

The dowel pins with an outside of $\varnothing 7\text{mm}$ are used for installations where slide and front flange are connected uprightly with 2 x low head torx screws M4x8mm.

3.2.1 Dowel Pin $\varnothing 6\text{mm}$ and $\varnothing 7\text{mm}$



3.2.2 Dimensions Front Flange

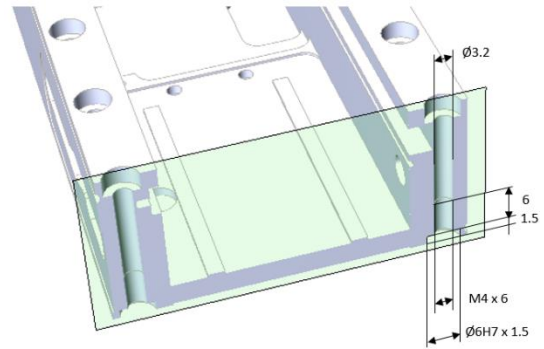


3.3 Universal Drilling Holes in Motor Case

X-Y cross table or Y-Z Pick and Place flat

4 x hexagon socket screws M3x30mm and 4 x dowel pins $\varnothing 6$ mm.

These matrix threads 20 x 50mm in the motor case allow a connection to another ELAX slide for a **X-Y cross table**. Or a connection to a front flange for a **flat Y-Z Pick and Place**. The M4 threads bellow further allow for mounting to a ground plate.

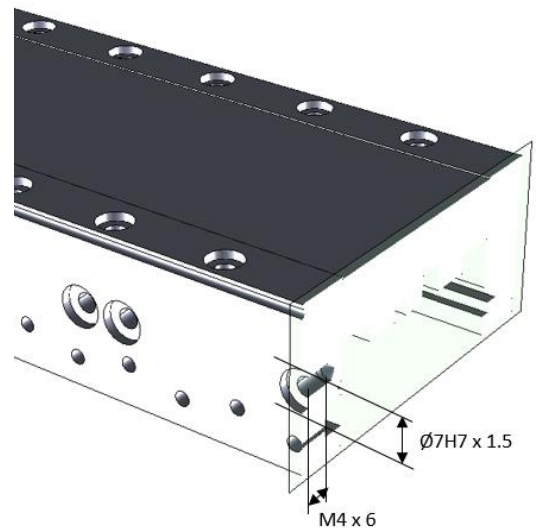


Y-Z Pick and Place upright

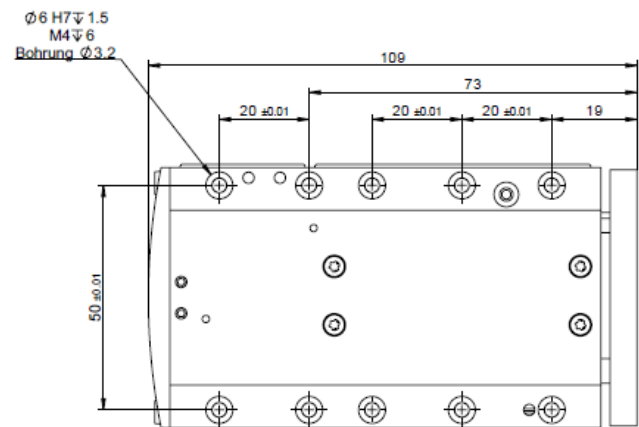
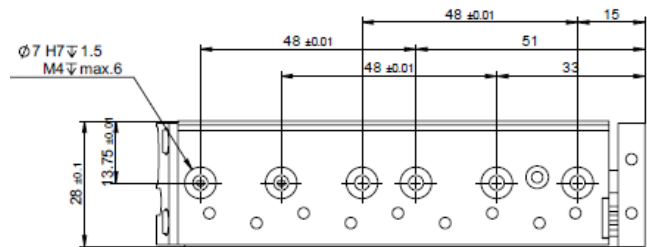
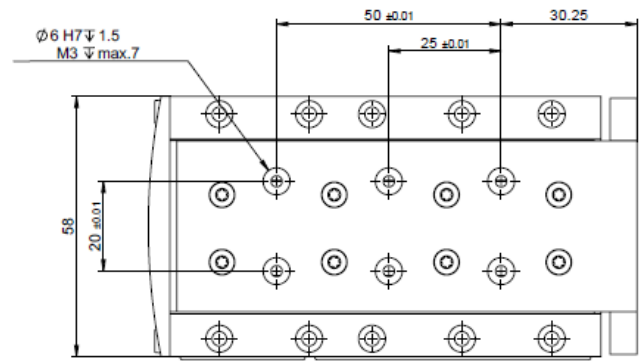
2 x torx screws with low head M4x8mm and 2 x dowel pins $\varnothing 7$ mm.

These matrix threads with a distance of 48mm allow a connection to a front flange for a **Y-Z Pick and Place upright**.

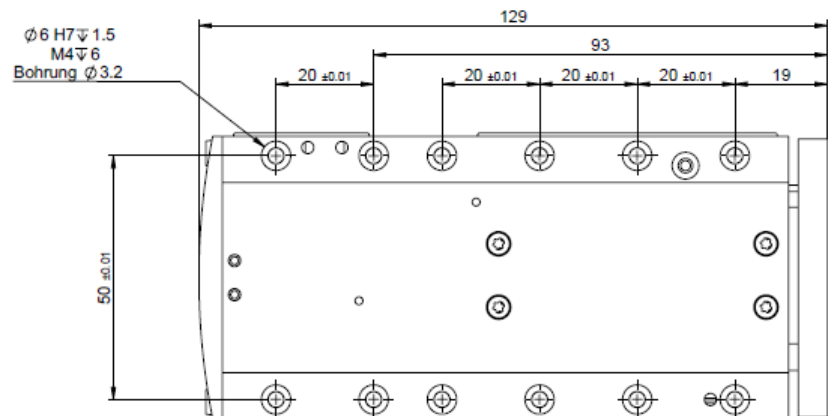
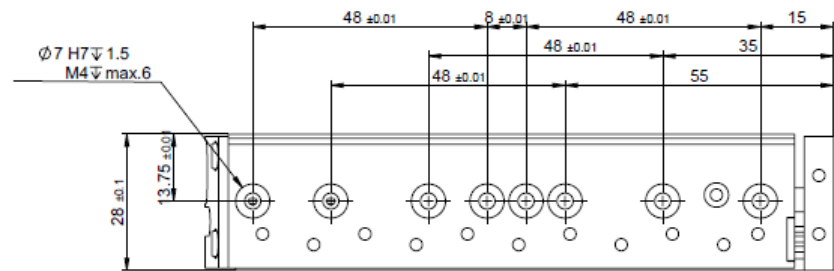
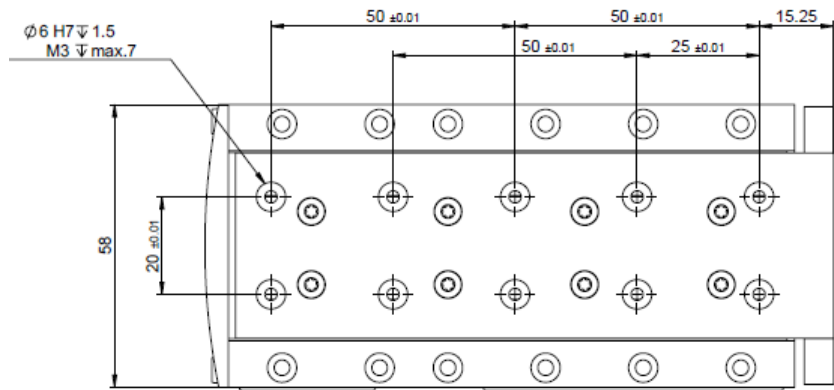
This is how multiple Y-Z Pick and Place units can be placed next to each other very closely (<30mm distance).



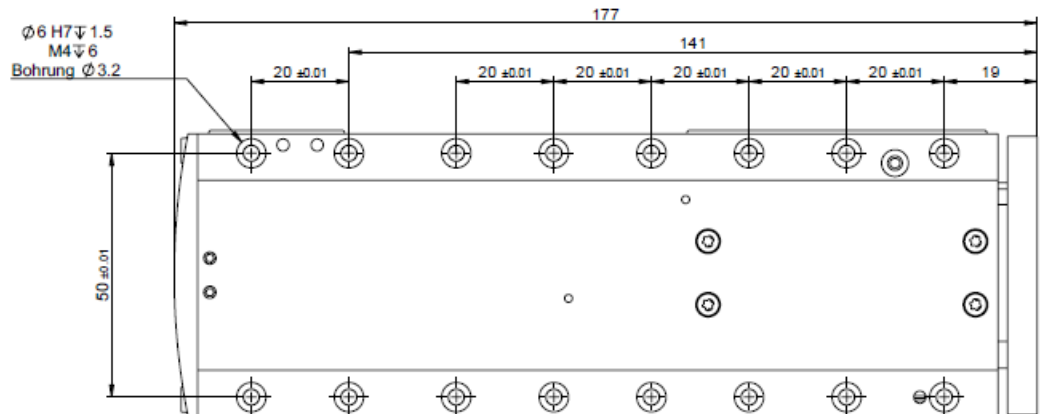
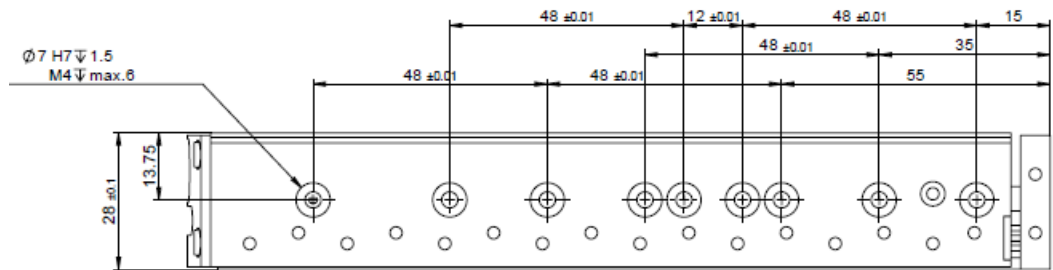
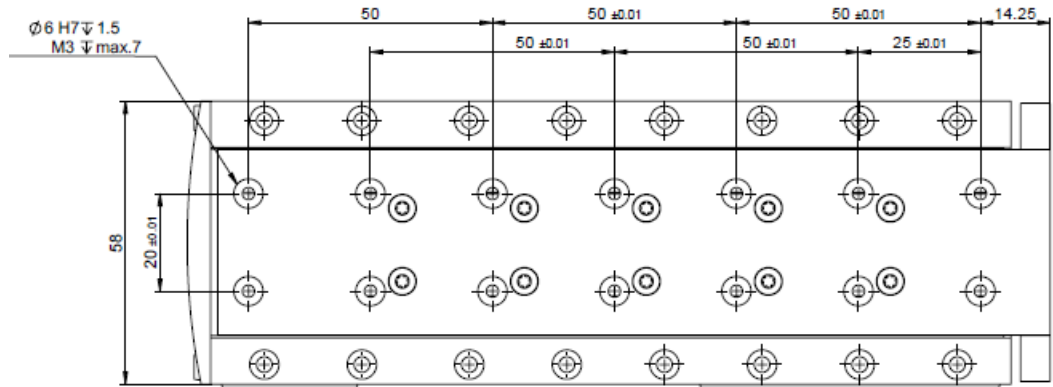
3.4 Hole Matrix Ex 30F20



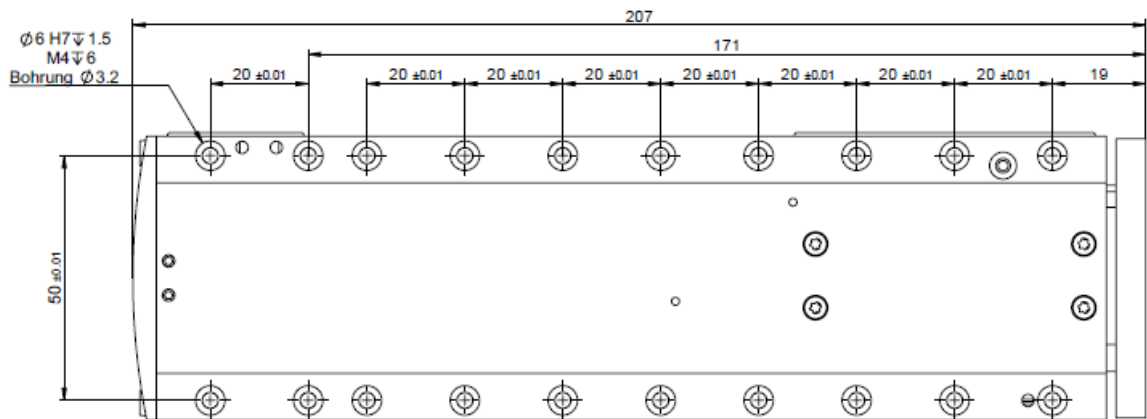
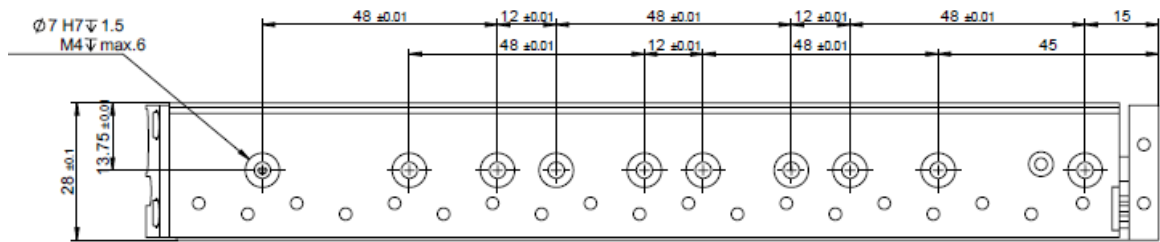
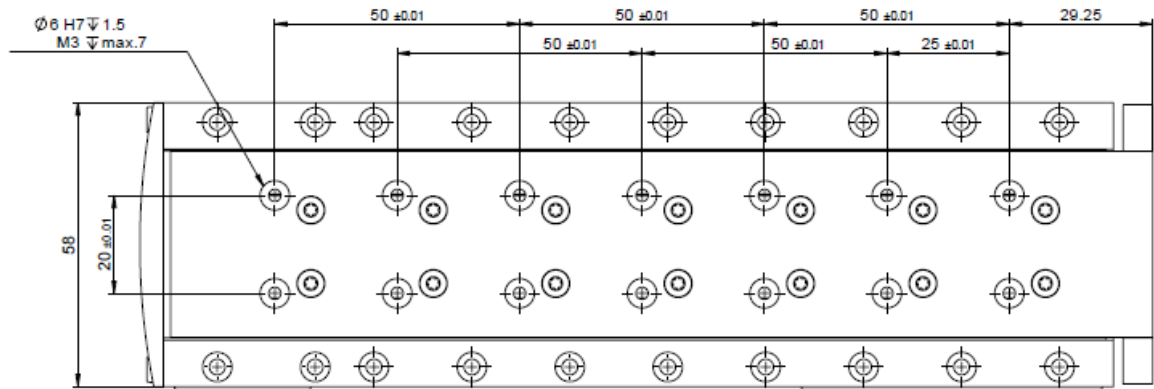
3.5 Hole Matrix Ex 50F20



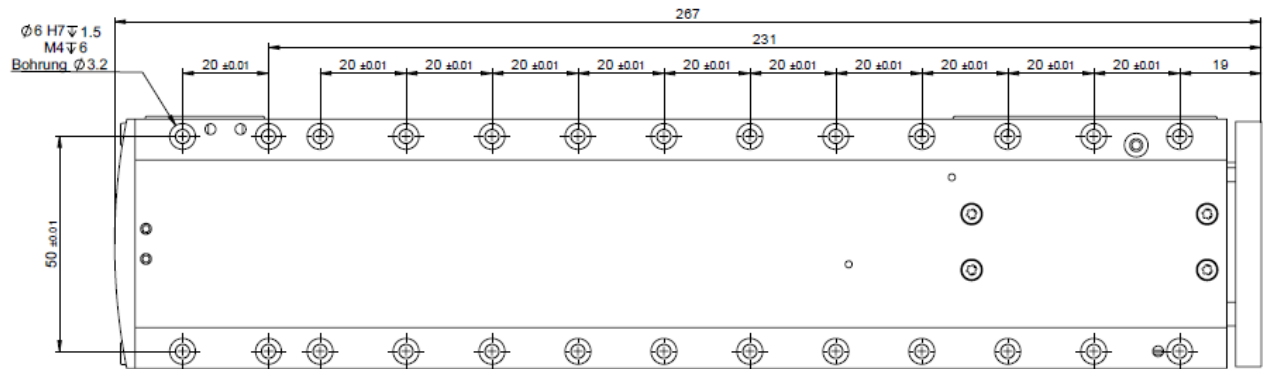
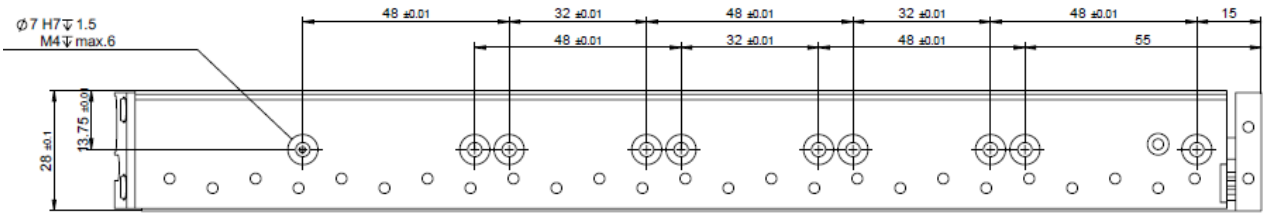
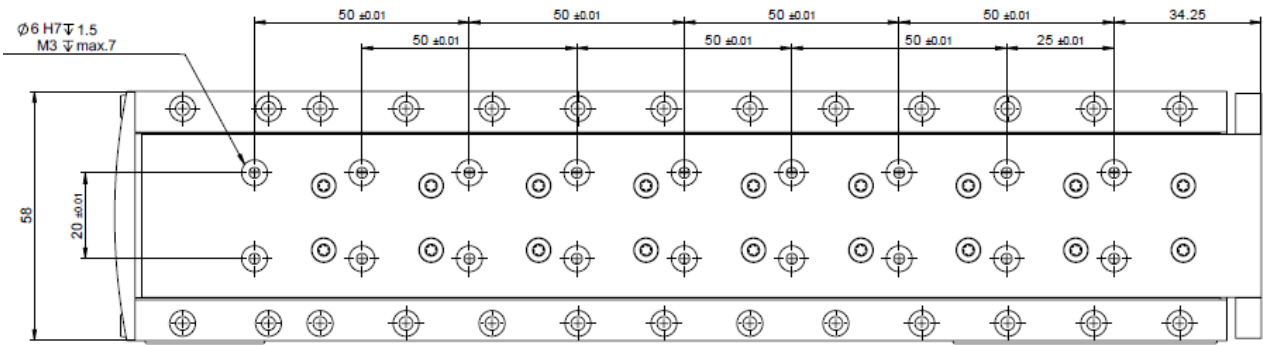
3.6 Hole Matrix Ex 80F20



3.7 Hole Matrix Ex 110F20



3.8 Hole Matrix Ex 150F20



4 Smart Praxis Oriented Details

4.1 One-Cable Connection Reduces Cabling Requirements

The one-cable connection from Jenny Science simplifies the whole machine cabling complexity. In addition, the cable chains are more compact and lighter, need less room and achieve higher dynamics.



4.2 Variable Cable Connection Offers More Flexibility

The cable connection can be oriented sidewise in order to keep the space behind the ELAX free for more compact machine installations.



4.3 Weight Compensation in Vertical Oriented Applications

This new constructed weight compensation unloads the linear motor in the ELAX slide. The linear motor has far less and this saving of energy can be used for high dynamics. In case of power interruption, the slide remains in position or drives upwards depending on the settings – without air pressure or electricity.



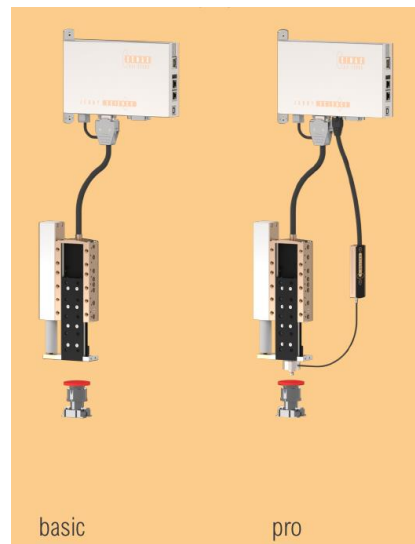
4.4 Forceteq® force measurement technology

With the Forceteq® basic and Forceteq® pro force measurement technology, forces can be recorded, limited and specified while driving.

The patented **Forceteq® basic** force measurement technology is fully integrated into the XENAX® Xvi servo controller. It includes a procedure for automatic motor calibration. The force is measured during the production process, an **external load cell is not required**.

This allows the acquisition and recording of quality-relevant force-displacement diagrams for all movements. Assembly operations can be monitored "in process". Errors and divergences are detected immediately. This means better quality and higher throughput. Additional test stations are no longer necessary.

Forceteq® pro, even more precise with Signateq® measuring amplifier and external load cell. With the newly developed Signateq® amplifier, a **standard DMS load cell** can be connected directly to the XENAX® Xvi 75V8S servo controller. No additional electronics box is necessary for force analysis. Calibration of the load cell is supported and can be done by the customer. Measuring range 0.001 -200N.



<https://www.jennyscience.ch/en/products/forceteq-force-measurement/forceteq-pro>

4.5 Chrome Steel Cover

For food- and pharm industry or for clean room of laboratory automation or medical technique.

With this chrome steel cover the modular matrix holes and threads are covered and the surface is smooth and easy to clean.



5 Performance Data

5.1 Motor forces, dynamics

Metric System:

ELAX®	Ex 30F20	Ex 50F20	Ex 80F20	Ex 110F20	Ex 150F20
Fn	20N	20N	20N	20N	20N
Fpeak	60N	60N	60N	60N	60N
Acceleration a-max.	80m/s ²	75m/s ²	70m/s ²	65m/s ²	60m/s ²
Velocity v-max.	1.5m/s	1.9m/s	2.3m/s	2.6m/s	2.9m/s
Stroke	30mm	50mm	80mm	110mm	150mm
Min. time for max. stroke with 500g payload	40ms	55ms	70ms	85ms	100ms
Forced centering cross roll cage for highest dynamic	standard	standard	standard	standard	standard

British System:

<i>Fn</i>	<i>4.5lbf</i>	<i>4.5lbf</i>	<i>4.5lbf</i>	<i>4.5lbf</i>	<i>4.5lbf</i>
<i>Fpeak</i>	<i>13.5lbf</i>	<i>13.5lbf</i>	<i>13.5lbf</i>	<i>13.5lbf</i>	<i>13.5lbf</i>
<i>Acceleration a-max.</i>	<i>262ft/s²</i>	<i>246ft/s²</i>	<i>230ft/s²</i>	<i>213ft/s²</i>	<i>197ft/s²</i>
<i>Velocity v-max.</i>	<i>4.9ft/s</i>	<i>6.2ft/s</i>	<i>7.5ft/s</i>	<i>8.5ft/s</i>	<i>9.5ft/s</i>
<i>Stroke</i>	<i>1.18in</i>	<i>1.97in</i>	<i>3.15in</i>	<i>4.33in</i>	<i>5.9in</i>
<i>Min. cycle time for max. stroke with payload of 1.1 lbs</i>	<i>40ms</i>	<i>55ms</i>	<i>70ms</i>	<i>85ms</i>	<i>100ms</i>
<i>Forced centering cross roll cage for highest dynamic</i>	<i>standard</i>	<i>standard</i>	<i>standard</i>	<i>standard</i>	<i>standard</i>

Fn = Nominal force 100% Duty cycle

Fp = Peak force 10% Duty cycle,

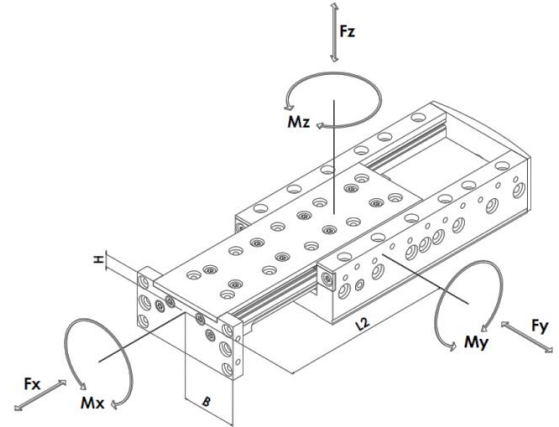
Performance limitation through temperature observation

5.2 Mechanical Payload Values

Type	L2 [mm]	Mx max [Nm]	Fy max [N] Fz max [N]	My max [Nm] Mz max [Nm]
Ex 30	68/2.68in	20/14.8lbf ft	1050/236lbf	17/12.5lbf ft
Ex 50	88/3.46in	20/14.8lbf ft	1050/236lbf	17/12.5lbf ft
Ex 80	128/5.04in	30/22.1lbf ft	1575/354lbf	33/24.3lbf ft
Ex 110	158/6.22in	30/22.1lbf ft	1575/354lbf	33/24.3lbf ft
Ex 150	208/8.19in	40/29.5lbf ft	2100/472lbf	56/41.3lbf ft

If there are multiple forces and moments on the linear motor, besides considering the maximum loads the following equation must comply:

$$\frac{|Fy|}{Fy \max} + \frac{|Fz|}{Fz \max} + \frac{|Mx|}{Mx \max} + \frac{|My|}{My \max} + \frac{|Mz|}{Mz \max} \leq 1$$



6 Accuracy

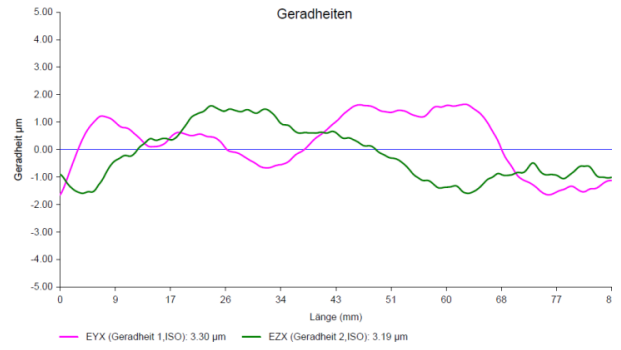
6.1 Positioning

Standard resolution magnetic measuring scale	1µm / Increments (0.03937µin / increments)
Repeat accuracy	< +/-5µm (< +/- 0.2 µin)
Linear expansion magnetic measuring scale	11µm/m/°C
Reference	To mechanical limitation internal, selectable either driving in or out
Zero Point absolute	1mm (0.03937in) distance of mechanical limitation when slide is in the case. Fully automatic calculation of absolute positioning after reference drive.

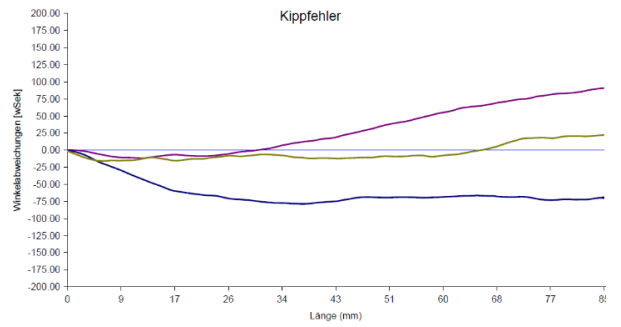
6.2 Slide Guiding

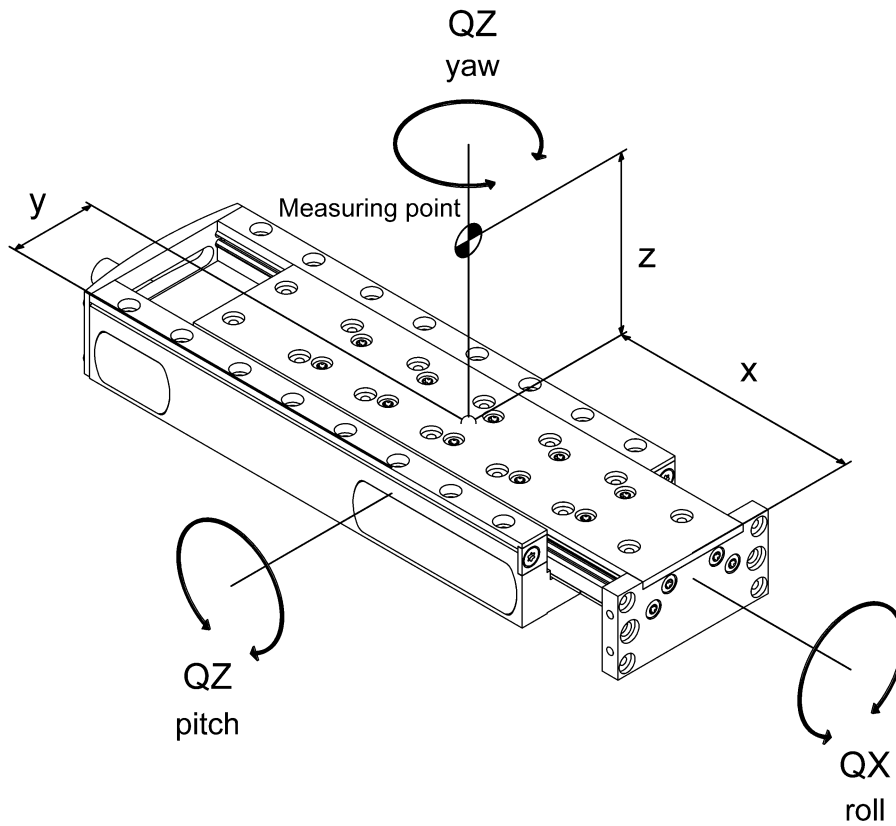
ELAX® electrical slides with linear motor are delivered with the following tolerances as a standard. This data is based on unstressed condition.

Running Accuracy [μm]



Angular Error [arc seconds, as]





	ELAX®	Ex 30F20	Ex 50F20	Ex 80F20	Ex 110F20	Ex 150F20
<i>Metric System:</i>						
Running accuracy horizontal EYX / vertical EZX		±5µm	±8µm	±10µm	±12µm	±15µm
Tolerance construction height		±0,1mm	±0,1mm	±0,1mm	±0,1mm	±0,1mm
<i>British/Engl. System:</i>						
Running accuracy horizontal EYX / vertical EZX		±0.20µin	±0.31µin	±0.39µin	±0.47µin	±0.59µin
Tolerance construction height		±0.04in	±0.04in	±0.04in	±0.04in	±0.04in
Angular error QX (roll)		±50as	±50as	±60as	±60as	±70as
Angular error QY (pitch)		±150as	±150as	±170as	±170as	±200as
Angular error QZ (yaw)		±120as	±130as	±150as	±150as	±170as

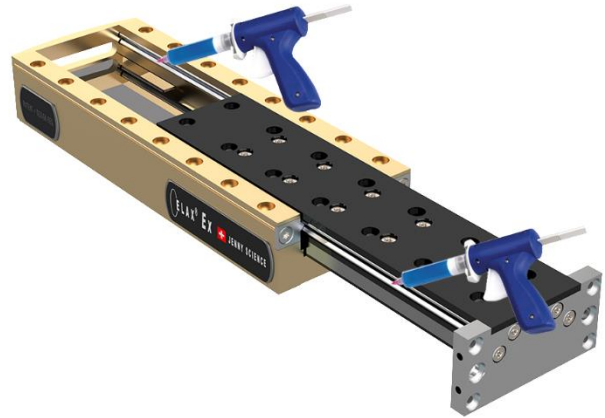
7 Maintenance, Life Time

7.1 Lubrication

The initial lubrication through Jenny Science prior to delivery should be sufficient for multiple years, depending on the operational demands of the linear motor.

The ELAX® cross roll cages are force centered through gear pinions and gear rods. The lubrication intervals depend on multiple parameters, such as operational demands, dynamics, operational temperature, pollution etc. Preventively we suggest to lubricate the bearing rails every 12 months.

For this we recommend the dosage pistol incl. Lubricating cartridge.



155.00.10 VA Dosage pistole for lubrication

155.00.11 VA Cartridge with standard lubricant

7.2 Life Time

The ELAX® direct drive with linear motor operates without contact, without wear and tear and without loss in accuracy. In principle the mechanical guides are the determining elements. The ELAX® cross roll guides have a beneficial “linear force support”, in contrast to the “point force support” in ball bearing guides. The material alloy of the cross rollers and the guide rods has been **specially designed for a very long lifetime**. At the same time, the guides are precise, robust and low-maintenance. They are also less sensitive to dirt than closed recirculating ball bearing systems. Our experience indicates that with medium loads, good maintenance and no external dirt particles, a lifetime of >350 million cycles can be achieved.

Hardening test in the "torture chamber"

ELAX® Ex 50F20



Durability test in "torture chamber"

>700 Mio cycles

ELAX® Ex 50F20 vertical, load weight 460g, stroke 30mm, speed 8.5Hz, no weight compensation, motor temp. 65° initial lubrication and relubrication every 100 million cycles. This durability test was carried out in the period from 10.04.2014 to 23.03.2017, thereby a distance of 47'000 km was driven.

Cycles achievable in practice with 50% reduction for reserve

>350 Mio cycles

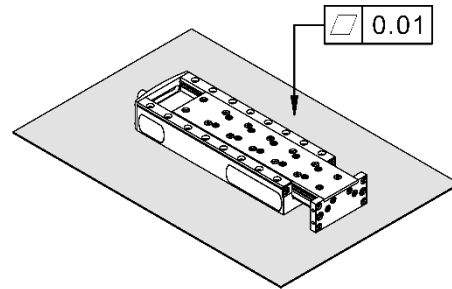
Actions with which life time can be extended:

- Trajectories with curve profiles instead of trapezoidal profiles (XENAX® Servo controller, default value S-curve profile = 20%).
- Dynamics not higher than needed.
- Completing non cycle time critical motions slower.
- Avoid pollution in the guides.
- Cleaning and lubrication of the guiding beams every 12 months.

8 Installation, Important Instructions

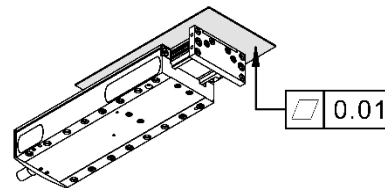
8.1 Flatness for Mounting on Ground Plate

If the ELAX® electric slides are mounted on a ground plate, it has to have a flatness of 0.01mm. If the flatness is out of this tolerance, the ELAX® can be distorted when screwed to the ground plate which might cause the guidings to seize. This increases the wear and tear, reduces the lifespan and might even destroy the guiding system.



8.2 Flatness for Mounting on Slider

These same conditions hold true for components that are mounted on the slider of the ELAX®. The contact surface has to have a flatness of 0.01mm.



8.3 Flatness Practical Test

Before mounting the ground plate or the slider, please test how smooth the slider can be moved by hand. After tightening the screws, move the slider by hand again. There should not be any noticeable changes in smoothness, otherwise the contact surfaces have to be revised.

9 Safety, Environment

9.1 Safety with XENAX® Servo Controller

<p>EN 61000-6-2:2005 Electromagnetic compatibility (EMC), Immunity for industrial environments</p>	<p>EMC Immunity Testing, Industrial Class A</p>
<p>EN 61326-3-1 IFA:2012 EN 61326-1, EN 61800-3, EN 50370-1</p>	<p>Immunity for Functional Safety Functional safety of power drive systems Electrostatic discharges ESD, Electromagnetic Fields, Fast electric transients Bursts, radio frequency common mode</p>
<p>EN 61000-6-3:2001 Electromagnetic compatibility (EMC), Emission standard for residential, commercial and light-industrial environments</p>	<p>EMC Emissions Testing, Residential Class B</p>
<p>EN 61326-1, EN61800-3, EN50370-1 IFA:2012</p>	<p>Radiated EM Field, Interference voltage Functional safety of power drive systems</p>

9.2 Environmental Conditions

<p>Storage and transport</p>	<p>No outdoor storage. Storage rooms have to be well vented and dry. Storage temperature -25°C up to +55°C (-13°F up to 131°F).</p>
<p>Operational temperature</p>	<p>5°C - 50°C (41°F - 122°F) Environment, reduction in performance at 40°C (104°F).</p>
<p>Operational humidity</p>	<p>10-90% non-condensing.</p>
<p>Cooling</p>	<p>No need of external cooling. If linear motor case is mounted on a heat conductive base, higher performance can be achieved.</p>
<p>Protection category</p>	<p>IP 40</p>

MRL 2006/42/EC notes

- Danger for persons with medical
Implants due to magnetic fields



- Surfaces may become hot, up to 85°C



- Lubrication only with non-toxic lubricants,
verify safety data sheet

- Noise level up to 70 dB(A)

Copyright, Disclaimer

This data sheet contains proprietary information protected by copyright. All rights are reserved. This document may not be photocopied, reproduced or translated in whole or in part without the prior agreement of Jenny Science AG.

Jenny Science AG can neither guarantee nor be made responsible for any consequences resulting from incorrect information.

These manual is subject to change without notice.

Jenny Science AG
Sandblatte 11
CH-6026 Rain, Switzerland

Tel +41 (0) 41 255 25 25

www.jennyscience.ch
alois.jenny@jennyscience.ch

© Copyright Jenny Science AG 2022